

A B C D E
F G H I J K
L M N O P
Q R S T U
V W X Y

Aa Bb Cc
Dd Ee Ff Gg
Hh Ii Jj Kk
Ll Mm Nn
Oo Pp Qq
Rr Ss Tt Uu
Vv Ww Xx
Yy Zz

A B C D E
F G H I J K
L M N O P
Q R S T U
V W X Y Z

A B C D E F
G H I J K L M
N O P Q R S
T U V W X Y Z

A B C D E
F G H I J
K L M N O
P Q R S T
U V W X Y
Z 1 2 3 4
5 6 7 8 9

A B C D
E F G H
I J K L
M N O P
Q R S T
U V W
X Y Z

A B C D E F G H I J K L M
N O P Q R S T U V W X Y Z
A B C D E F G H I J K L M
N O P Q R S T U V W X Y Z
a b c d e f g h i j k l m
n o p q r s t u v w x y z
a b c d e f g h i j k l m
n o p q r s t u v w x y z

A B C D E F G
H I J K L M N
O P Q R S T U
V W X Y Z



A B C D E F G H
I J K L M N O
P Q R S T U V W
X Y Z ! ?

A B C D E F G H I J
K L M N O P Q R S T
U V W X Y Z ? !
0 1 2 3 4 5 6 7 8 9

Aa Bb Cc Dd Ee
Ff Gg Hh Ii Jj Kk
Ll Mm Nn Oo Pp
Qq Rr Ss Tt Uu
Vv Ww Xx Yy Zz
1 2 3 4 5 6 7 8 9 0

A B C D E
F G H I J K
L M N O P
Q R S T U
V W X Y Z

A B C D E
F G H I J
K L M N
O P Q R S
T U V W
X Y Z



A B C D
E F G H
I J K L M
N O P Q
R S T U
V W X Y
Z

A B C D E F G
H I J K L M N
O P Q R S T U
V W X Y Z

A B C D E F
G H I J K L
M N O P Q
R S T U V
W X Y Z

A B C D E F
G H I J K L M
N O P Q R S T U
V W X Y Z 1 2
3 4 5 6 7 .



Disney ALFABET

WALTOGRAPH

Aa Bb Cc Dd Ee

Ff Gg Hh Ii Jj Kk

Ll Mm Nn Oo Pp

Qq Rr Ss Tt Uu

Vv Ww Xx Yy Zz

A B C D E

F G H I J K

L M N O P

Q R S T U

V W X Y Z

abcde
fghijk
lmnop
qrstuv
wxyz

Bb Cc Dd Ee
Ff Gg Hh Ii Jj Kk
Ll Mm Nn Oo Pp
Qq Rr Ss Tt Uu
Vv Ww Xx Yy Zz

A B C D E
F G H I J
K L M N
O P Q R S
T U V W
X Y Z

A B C D
E F G H
I J K L
M N O
P Q R S

A B C D
E F G H
I J K L
M N O P
Q R S T
U V W X
Y Z

Aa Bb Cc Dd
Ee Ff Gg Hh
Ii Jj Kk Ll
Mm Nn Oo
Pp Qq Rr Ss
Tt Uu Vv w
W Xx Yy Zz

A B C D E
F G H I J K
L M N O P
Q R S T U
V W X Y Z

Aa Bb Cc Dd Ee Ff
Gg Hh Ii Jj Kk Ll Mm
Nn Oo Pp Qq Rr Ss Tt
Uu Vv Ww Xx Yy Zz

A B C D E F G
H I J K L M
N O P Q R S
T U V W X Y Z
a b c d e f g h i j k l m n o p
q r s t u v w x y z
1 2 3 4 5 6 7 8 9

A B C D E F G
H I J K L M N
O P Q R S T
U V W X Y Z



A simple
HELLO
could lead to
A MILLION
things



A CUP OF
tea
IS LIKE A
hug



be a
PINEAPPLE
stand
tall
WEAR A
CROWN | &
be sweet

close
your EYES
AND MAKE A
Wish

ONE
— OF A —
KIND

ONLY YOU
can make
HAPPEN

YOU ARE
Capable of
AMAZING
things

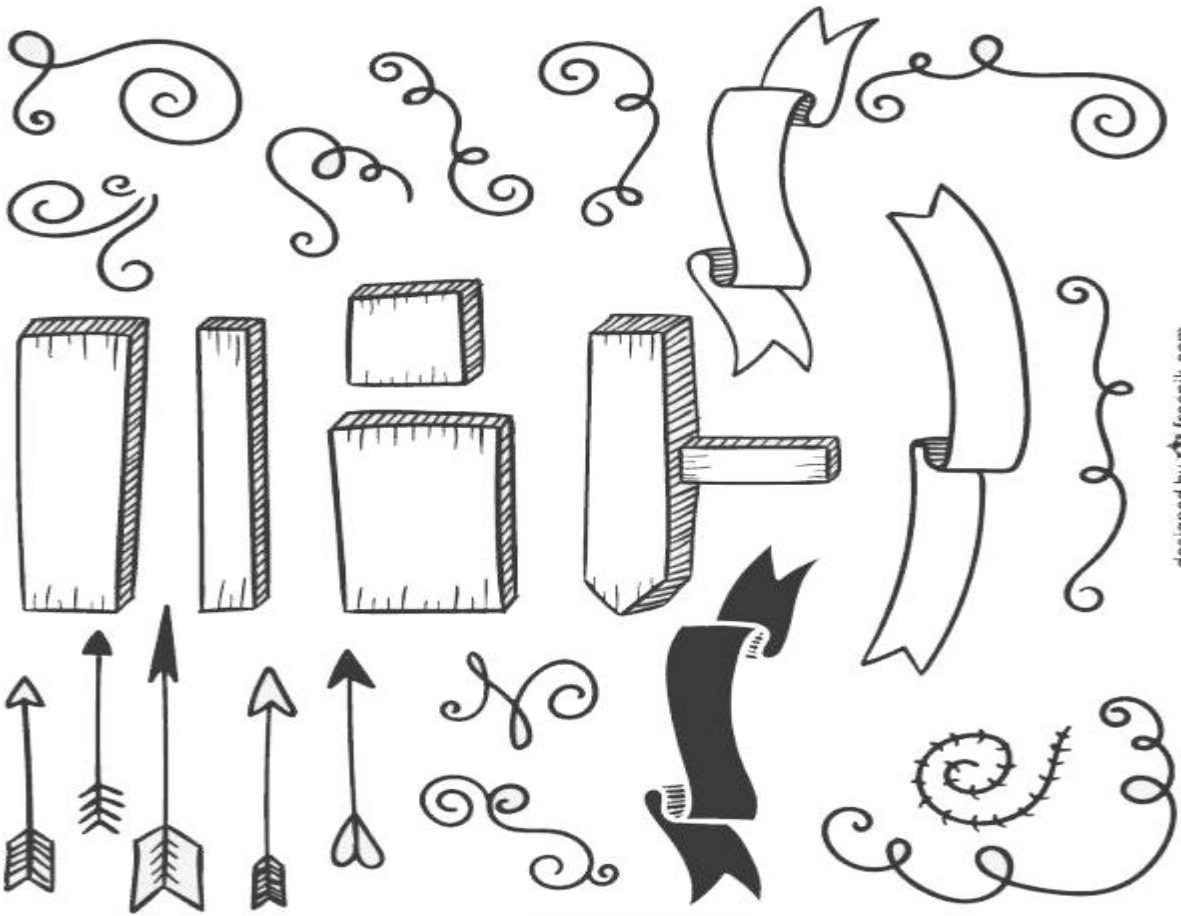
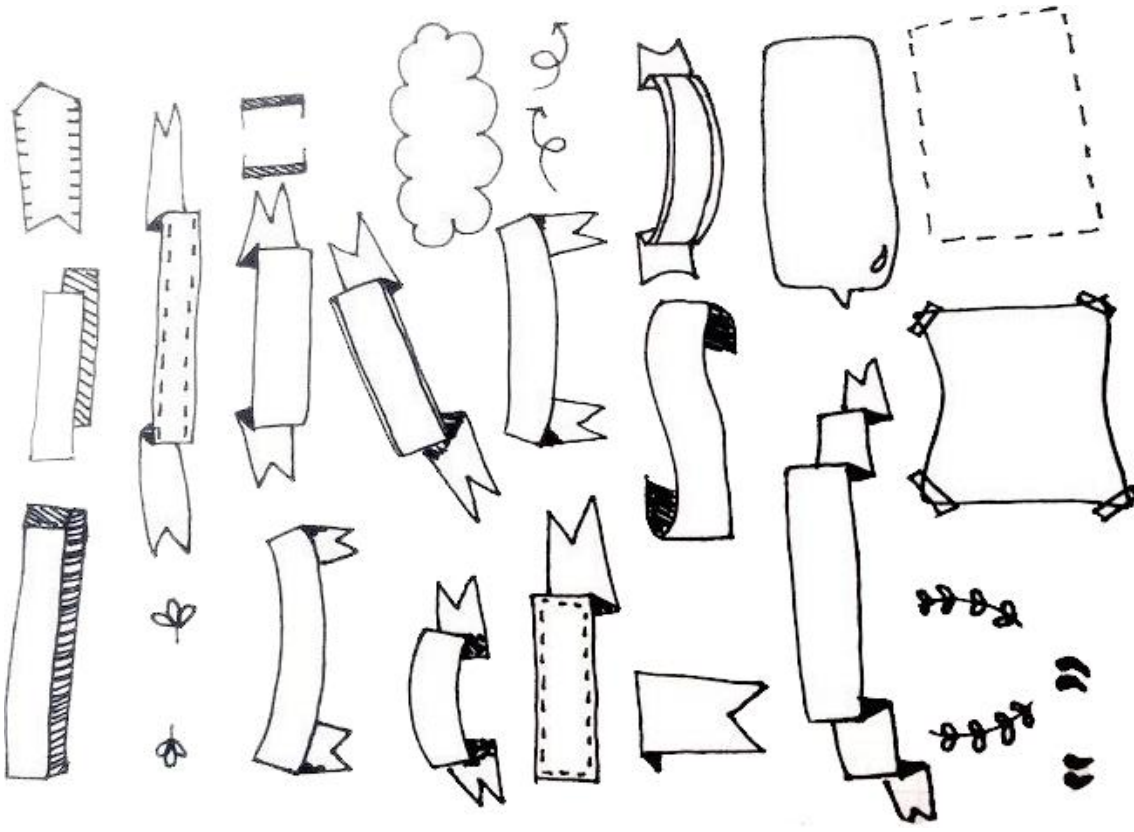
you NEVER
KNOW
WHAT YOU CAN DO
TILL you
TRY

I BELIEVE
IN THE
power
OF
Love

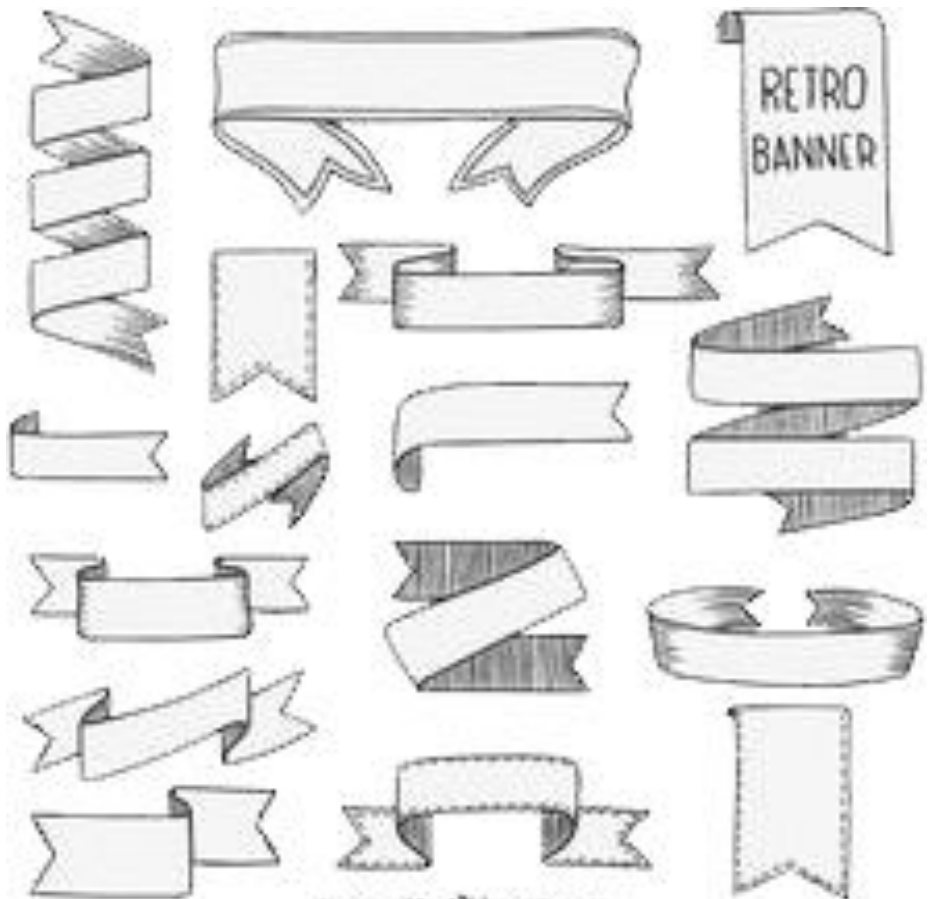
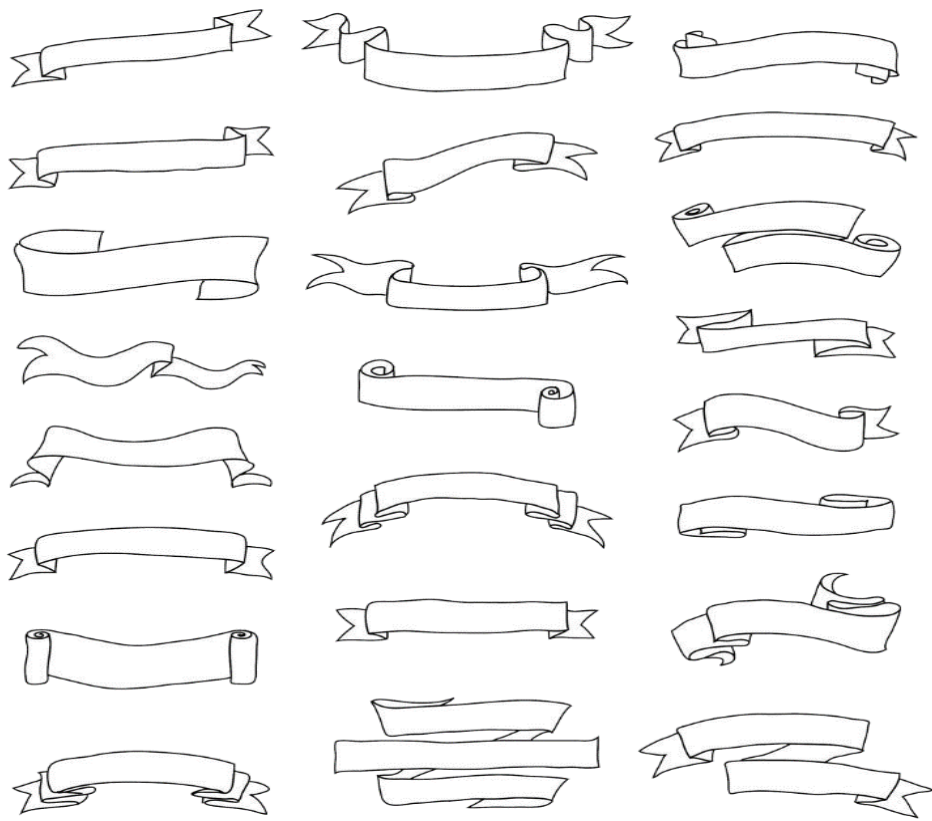
ALL GOOD
things
ARE
WILD
& free

dear
Saturday,
YOU
ARE MY
FAVORITE

I'M NOT
perfect,
I am
ORIGINAL



designed by  freepik.com



Designed by  freemove.com



